

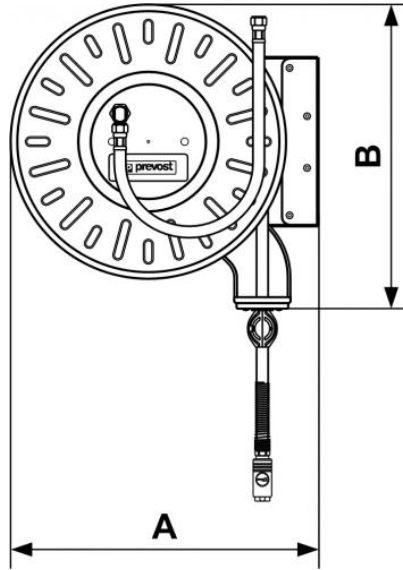
DLO series - Extra large - Rubber hose



<p><u>ID/OD (mm)</u></p> <p>13 x 20</p>	<p><u>Length (m)</u></p> <p>30</p>	<p><u>Coupler</u></p> <p>ESI 11EB</p>	<p><u>Flow rate (l/min)</u></p> <p>850</p>
<p><u>Swivel inlet BSPP male thread</u></p> <p>G 1/2</p>	<p><u>Weight (kg)</u></p> <p>39</p>	<p><u>Technology</u></p> <p>Pipe locked with ratchet stop</p>	<p><u>Max operating pressure</u></p> <p>12 bar</p>
<p><u>Construction</u></p> <p>Epoxy-coated steel case</p>	<p><u>Connection</u></p> <p>1 m of inlet supply hose</p>	<p><u>Equipped with</u></p> <p>Fixed bracket</p>	

Description

Reference	ID/OD (mm)	Length (m)	Coupler	Flow rate (l/min)	Swivel inlet BSP male thread	Weight (kg)	ID (in)	Length (ft)	Flow rate (cfm)	Weight (lb)
DLO 1330ES	13 x 20	30	ESI 11EB	850	G 1/2	39	5/8"	82'	60	90.40
DLO 1625ES	16 x 23	25	ESI 11EB	1700	G 1/2	39	1/2"	98'	30	85.99
DLO 1625IS	19 x 27	20	ISI 11EB	2400	1/2" MBSP	42	5/8"	82'	60	90.40
DLO 1920ES	13 x 20	30	ESI 11EB	850	G 1	39	3/4"	65'	85	92.61
DLO 1330US	19 x 27	20	USI 11EB	2400	1/2" MBSP	42				
DLO 1330IS			ISI 11EB		G 1/2					
DLO 1625US			USI 11EB		1/2" MBSP					
DLO 1920US			USI 11EB		1" MBSP					
DLO 1920IS			ISI 11EB		G 1					



Dimensions

Reference	A inch	B inch
DLO 1330ES	615	610
DLO 1625ES	615	610
DLO 1625IS	2.0177165354331	2.001312335958
DLO 1920ES	615	610
DLO 1330US	2.0177165354331	2.001312335958
DLO 1330IS	615	610
DLO 1625US	2.0177165354331	2.001312335958
DLO 1920US	2.0177165354331	2.001312335958
DLO 1920IS	615	610