

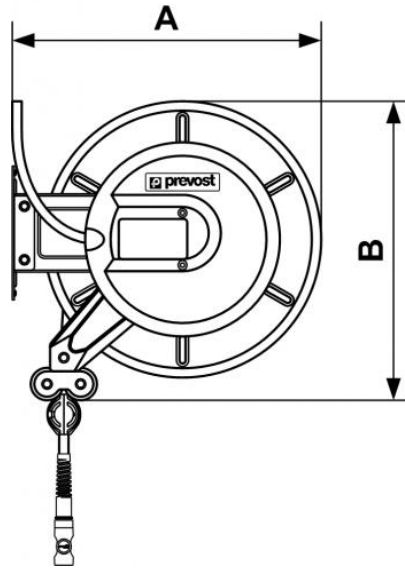
DVO series - Medium - Polyurethane braided hose



ID/OD (mm) 10 x 14	Length (m) 25	Coupler ESI 07	Flow rate (l/min) 500
Swivel inlet G 3/8	Weight (kg) 17	Technology Pipe locked with ratchet stop	Max operating pressure 12 bar
Construction Epoxy-coated steel case	Connection 1 m of inlet supply hose	Equipped with Fixed bracket	

Description										
Reference	ID (in)	Length (ft)	Coupler	Flow rate (cfm)	Swivel inlet	Weight (lb)	ID/OD (mm)	Length (m)	Flow rate (l/min)	Weight (kg)
DVO 1025IS	3/8"	82'	ISI 06	18	3/8"	37.5	10 x 14	25	500	17

Reference	ID (in)	Length (ft)	Coupler	Flow rate (cfm)	Swivel inlet	Weight (lb)	ID/OD (mm)	Length (m)	Flow rate (l/min)	Weight (kg)
DVO 1025ES	3/8"	82'	ESI 07	18	G 3/8	37.5				
DVO 1025US			USI 06		3/8"					



Dimensions		
Reference	A inch	B inch
DVO 1025IS	1.509186351706	1.4665354330709
DVO 1025ES	460	447
DVO 1025US	1.509186351706	1.4665354330709