

Tool holder



Includes

Tool holder kit: - 1 mounting bracket - 1 tool holder shell - 1 kit of screws and nuts

Highlight

Workstation ergonomics

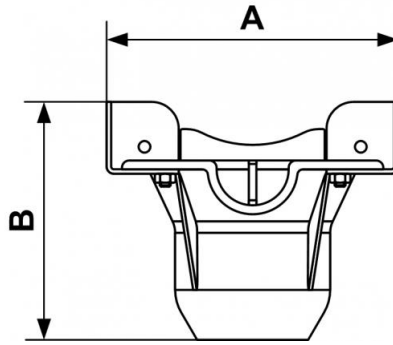
Description

Reference

PLA TH

Includes

Tool holder kit: - 1 mounting bracket - 1 tool holder shell - 1 kit of screws and nuts



Dimensions

Reference	A inch	B inch
PLA TH	6.378	5.236