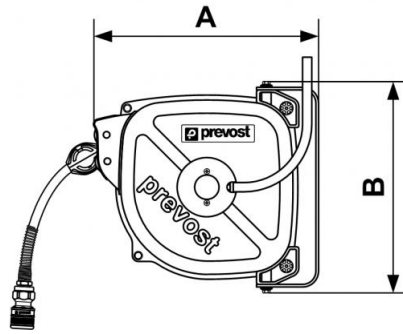


DRF/I series - 304 stainless steel - Polyurethane hose ether base



<p>ID (in)</p> <p>3/8"</p>	<p>Length (ft)</p> <p>40'</p>	<p>Coupler</p> <p>ELS 09</p>	<p>Swivel inlet (in)</p> <p>3/8"</p>
<p>Weight (lb)</p> <p>13.89</p>	<p>Technology</p> <p>Pipe locked with ratchet stop</p>	<p>Max operating pressure</p> <p>145 psi</p>	<p>Temperature</p> <p>+5°F to +140°F</p>
<p>Construction</p> <p>AISI 304 stainless steel case</p>	<p>Connection</p> <p>3.3 ft of inlet supply hose</p>	<p>Equipped with</p> <p>Swivel bracket</p>	

Description					
Reference	ID (in)	Length (ft)	Coupler	Swivel inlet (in)	Weight (lb)
DRFI 1012LS	3/8"	40'	ELS 09	3/8"	13.89



Dimensions

Reference	A inch	B inch
DRFI 1012LS	1.2139107611549	1.1056430446194