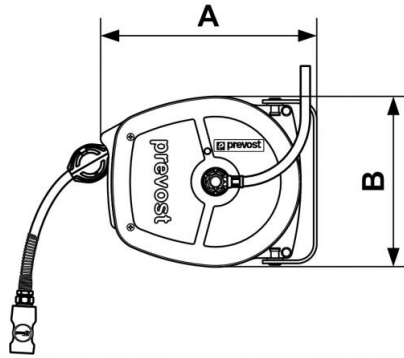


DSF/I series - 304 stainless steel - Polyurethane braided hose with ether base



ID/OD (mm) 8 x 12	Length (m) 5	Coupler ELS 09	Swivel inlet (mm) 8 x 12
Weight (kg) 3	Technology Pipe locked with ratchet stop	Max operating pressure 10 bar	Temperature -15°C to +60°C
Construction AISI 304 stainless steel case	Connection 1 m of inlet supply hose	Equipped with Swivel bracket	

Description					
Reference	ID/OD (mm)	Length (m)	Coupler	Swivel inlet (mm)	Weight (kg)
DSFI 0805LS	8 x 12	5	ELS 09	8 x 12	3



Dimensions

Reference	A inch	B inch
DSFI 0805LS	275	218