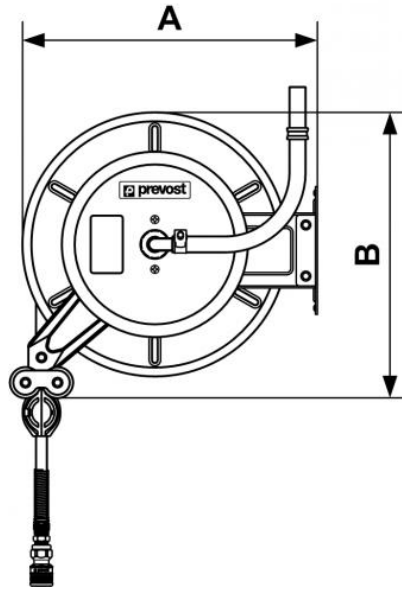


Open Hose Reel - Low Pressure Water



<p><u>ID (in)</u> 1/2"</p>	<p><u>Length (ft)</u> 65'</p>	<p><u>Coupler</u> ELS 09</p>	<p><u>Swivel inlet (in)</u> 3/4"</p>
<p><u>Weight (lb)</u> 44</p>	<p><u>Technology</u> Pipe locked with ratchet stop</p>	<p><u>Max operating pressure</u> 145 psi</p>	<p><u>Temperature</u> +5°F to +140°F</p>
<p><u>Construction</u> Epoxy-coated steel case</p>	<p><u>Connection</u> 3.3 ft of inlet supply hose</p>	<p><u>Equipped with</u> Fixed bracket</p>	

Description					
Reference	ID (in)	Length (ft)	Coupler	Swivel inlet (in)	Weight (lb)
DVO 1320LS	1/2"	65'	ELS 09	3/4"	44
DVO 1515LS	19/32"	50'	ELS 09	3/4"	44



Dimensions

Reference	A inch	B inch
DVO 1320LS	1.6240157480315	1.5583989501312
DVO 1515LS	1.6240157480315	1.5583989501312