

prevoS1 blow gun with OSHA polyamide composite nozzle



Blowing force (at 6 bar

(g)

260

Dynamic pressure

((psi) at 0.39 inches, at

87 psi)

15

Air consumption (at 6

bar (Nm3/h)

13

Noise level (at 6 bar

(dBA)

87

Profile

British profile

Max operating

pressure

174 psi

Temperature

+5°F to +158°F

Construction

Polyamide composite body

Highlight

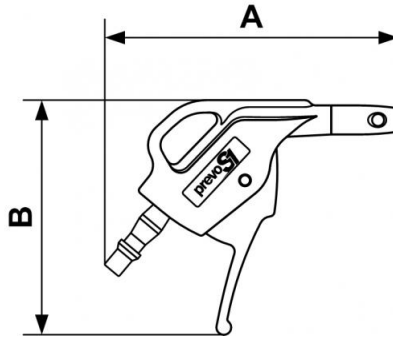
Compact

Connection

Built-in plug

Description

Reference	Blowing force (at 6 bar (g))	Dynamic pressure ((psi) at 0.39 inches, at 87 psi)	Air consumption (at 6 bar (Nm ³ /h))	Noise level (at 6 bar (dBA))
BBG 06OSH	260	15	13	87



Dimensions

Reference	A inch	B inch
BBG 06OSH	0.39698162729659	0.31824146981627