

prevoS1 blow gun with OSHA polyamide composite nozzle - Pocket model



**Blowing force (at 6 bar
(g))**

168

**Dynamic pressure
((psi) at 0.39 inches, at
87 psi)**

7

**Air consumption (at 6
bar (Nm3/h))**

14

**Noise level (at 6 bar
(dBA))**

89

Profile

British profile

**Max operating
pressure**

174 psi

Temperature

+5°F to +158°F

Construction

Polyamide composite body

Highlight

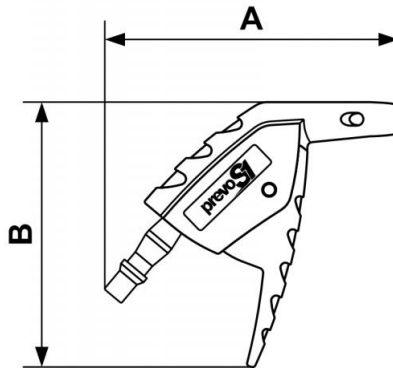
Compact

Connection

Built-in plug

Description

Reference	Blowing force (at 6 bar (g))	Dynamic pressure ((psi) at 0.39 inches, at 87 psi)	Air consumption (at 6 bar (Nm3/h))	Noise level (at 6 bar (dBA))
BPG 06OSH	168	7	14	89



Dimensions

Reference	A inch	B inch
BPG 06OSH	0.33792650918635	0.30511811023622