

## prevoS1 blow gun with OSHA composite nozzle



**Blowing force (at 87 psi (Ozf))**

9

**Dynamic pressure ((psi) at 0.39 inches, at 87 psi)**

14

**Air consumption (at 87 psi (cfm))**

7.7

**Noise level (at 87 psi (dBA))**

87

**Max operating pressure**

174 psi

**Temperature**

+5°F to +158°F

**Construction**

Polyamide composite body

**Highlight**

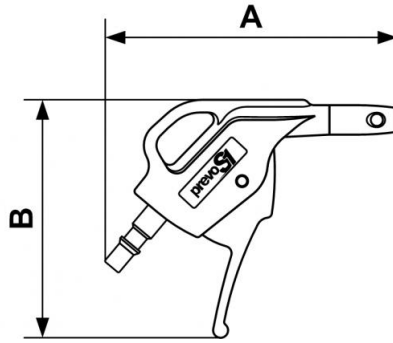
Compact

**Connection**

Built-in plug

### Description

Reference	Blowing force (at 87 psi (Ozf))	Dynamic pressure ((psi) at 0.39 inches, at 87 psi)	Air consumption (at 87 psi (cfm))	Noise level (at 87 psi (dBA))
<b>CBG 06OSH</b>	9	14	7.7	87



### Dimensions

Reference	A inch	B inch
<b>CBG 06OSH</b>	0.39041994750656	0.31824146981627