

prevoS1 blow gun with OSHA composite nozzle



Blowing force (at 87 psi (Ozf))

9

Dynamic pressure ((psi) at 0.39 inches, at 87 psi)

14

Air consumption (at 87 psi (cfm))

7.7

Noise level (at 87 psi (dBA))

87

Max operating pressure

174 psi

Temperature

+5°F to +158°F

Construction

Polyamide composite body

Highlight

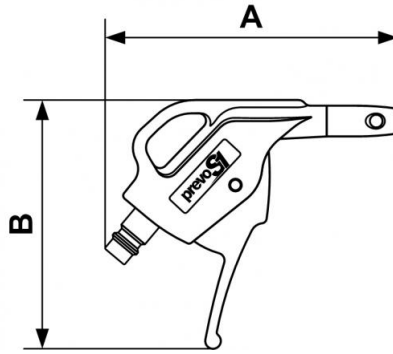
Compact

Connection

Built-in plug

Description

Reference	Blowing force (at 87 psi (Ozf))	Dynamic pressure ((psi) at 0.39 inches, at 87 psi)	Air consumption (at 87 psi (cfm))	Noise level (at 87 psi (dBA))
EBG 07OSH	9	14	7.7	87



Dimensions

Reference	A inch	B inch
EBG 070SH	0.3740157480315	0.31824146981627