

## prevoS1 blow gun with OSHA composite nozzle - Pocket model



**Blowing force (at 87 psi (Ozf))**

6

**Dynamic pressure ((psi) at 0.39 inches, at 87 psi)**

7.2

**Air consumption (at 87 psi (cfm))**

8.2

**Noise level (at 87 psi (dBA))**

89

**Max operating pressure**

174 psi

**Temperature**

+5°F to +158°F

**Construction**

Polyamide composite body

**Highlight**

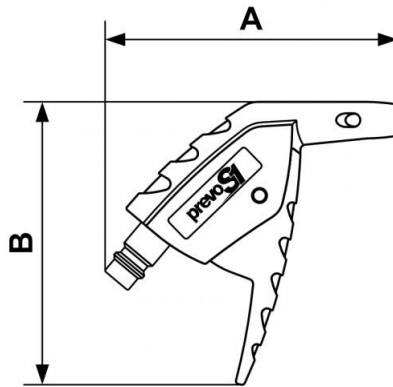
Compact

**Connection**

Built-in plug

### Description

Reference	Blowing force (at 87 psi (Ozf))	Dynamic pressure ((psi) at 0.39 inches, at 87 psi)	Air consumption (at 87 psi (cfm))	Noise level (at 87 psi (dBA))
<b>EPG 07OSH</b>	6	7.2	8.2	89



### Dimensions

Reference	A inch	B inch
<b>EPG 070SH</b>	0.31496062992126	0.30511811023622