

prevoS1 blow gun with OSHA composite nozzle - Pocket model



Blowing force (at 87 psi (Ozf))

6

Dynamic pressure ((psi) at 0.39 inches, at 87 psi)

7.2

Air consumption (at 87 psi (cfm))

8.2

Noise level (at 87 psi (dBA))

89

Max operating pressure

174 psi

Temperature

+5°F to +158°F

Construction

Polyamide composite body

Highlight

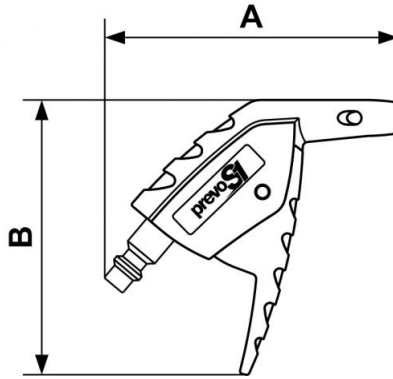
Compact

Connection

Built-in plug

Description

Reference	Blowing force (at 87 psi (Ozf))	Dynamic pressure ((psi) at 0.39 inches, at 87 psi)	Air consumption (at 87 psi (cfm))	Noise level (at 87 psi (dBA))
IPG 06OSH	6	7.2	8.2	89



Dimensions

Reference	A inch	B inch
IPG 06OSH	0.32152230971129	0.30511811023622