

# Female thread single wall manifold - 1 coupler and drain - 1/4" Industrial Profile



**Inlet NPT female thread**

1/2" FNPT

**Outlet 1 coupling**

ISI 06

**Technology**

"One push" safety system  
(avoids hose whip)

**Operating pressure**

29 to 174 psi

**Flow rate at 100 psi**

34 cfm ( $\Delta P = 10$  psi)

**ID Passage**

1/4" body size

**Temperature**

+5°F to +158°F

**Construction**

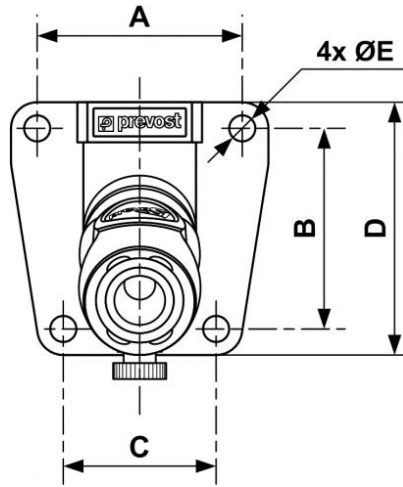
Composite body

**Highlight**

Anti-static Non scratch

## Description

Reference	Inlet NPT female thread	Outlet 1 coupling
<b>ISI 061203WK</b>	1/2" FNPT	ISI 06



### Dimensions

Reference	A inch	B inch	C inch	D inch	E inch
<b>ISI 061203WK</b>	2.008	1.969	1.496	2.736	0.256