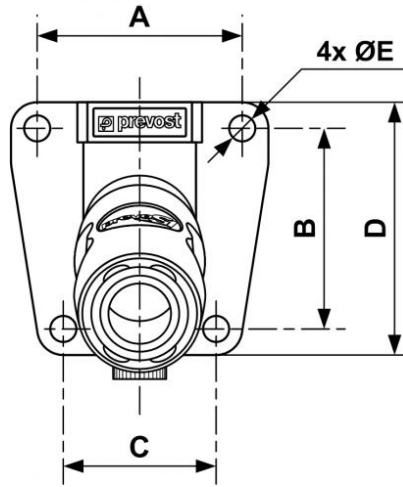


Female thread single wall manifold - 1 coupler and drain - 3/8" Industrial Profile



<p><u>Inlet NPT female thread</u> 1/2" FNPT</p>	<p><u>Outlet 1 coupling</u> ISI 08</p>	<p><u>Technology</u> "One push" safety system (avoids hose whip)</p>	<p><u>Operating pressure</u> 29 to 174 psi</p>
<p><u>Flow rate at 100 psi</u> 81 cfm ($\Delta P = 10$ psi)</p>	<p><u>ID Passage</u> 3/8" body size</p>	<p><u>Temperature</u> +5°F to +158°F</p>	<p><u>Construction</u> Composite body</p>
<p><u>Highlight</u> Anti-static Non scratch</p>			

Description		
Reference	Inlet NPT female thread	Outlet 1 coupling
ISI 081203WK	1/2" FNPT	ISI 08



Dimensions

Reference	A inch	B inch	C inch	D inch	E inch
ISI 081203WK	2.008	1.969	1.496	2.48	0.256