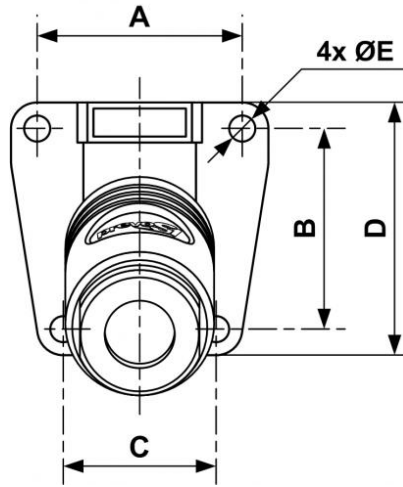


Female thread single wall manifold - 1 coupler and drain - 1/2" Automotive Profile



<p><u>Inlet NPT female thread</u> 1/2" FNPT</p>	<p><u>Outlet 1 coupling</u> USI 11</p>	<p><u>Profile</u> Automotive Interchange</p>	<p><u>Technology</u> "One push" safety system (avoids hose whip)</p>
<p><u>Operating pressure</u> 29 to 232 psi</p>	<p><u>Flow rate at 100 psi</u> 120 cfm ($\Delta P = 10$ psi)</p>	<p><u>ID Passage</u> 1/2" body size</p>	<p><u>Temperature</u> +5°F to +158°F</p>
<p><u>Construction</u> Stainless steel</p>	<p><u>Highlight</u> Anti-static Excellent efficiency Harsh conditions</p>		

Description		
Reference	Inlet NPT female thread	Outlet 1 coupling
USI 111203WK	1/2" FNPT	USI 11



Dimensions

Reference	A inch	B inch	C inch	D inch	E inch
USI 111203WK	2.008	1.969	1.496	2.48	0.256