

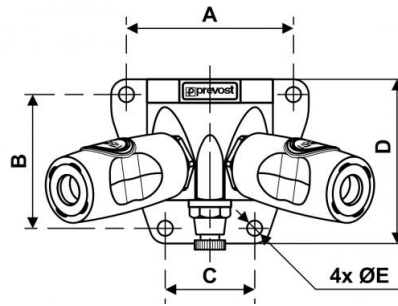
# Female thread double wall manifold - 2 couplers and drain - 3/8"

## High Flow Profile



|   |  |   |   |
|---|--|---|---|
| <p><b><u>Inlet NPT female thread</u></b><br/>1/2" FNPT</p>                            | <p><b><u>Outlet 2 couplings</u></b><br/>ESI 07</p> | <p><b><u>Technology</u></b><br/>"One push" safety system<br/>(avoids hose whip)</p> | <p><b><u>Operating pressure</u></b><br/>29 to 174 psi</p> |
| <p><b><u>Flow rate at 100 psi</u></b><br/>73 cfm (<math>\Delta P = 10</math> psi)</p> | <p><b><u>ID Passage</u></b><br/>3/8" body size</p> | <p><b><u>Temperature</u></b><br/>+5°F to +158°F</p>                                 | <p><b><u>Construction</u></b><br/>Composite body</p>      |
| <p><b><u>Highlight</u></b><br/>Anti-static Non scratch</p>                            |  |   |   |

| Description         |                         |                    |
|---------------------|-------------------------|--------------------|
| Reference           | Inlet NPT female thread | Outlet 2 couplings |
| <b>ESI 078203WK</b> | 1/2" FNPT               | ESI 07             |
| <b>ESI 078204WK</b> | 3/4" FNPT               | ESI 07             |



### Dimensions

| Reference               | A inch | B inch | C inch | D inch | E inch |
|-------------------------|--------|--------|--------|--------|--------|
| <b>ESI<br/>078203WK</b> | 2.795  | 2.244  | 1.496  | 2.756  | 0.256  |
| <b>ESI<br/>078204WK</b> | 2.795  | 2.244  | 1.496  | 2.756  | 0.256  |