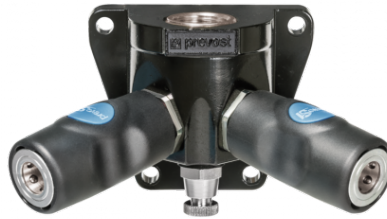
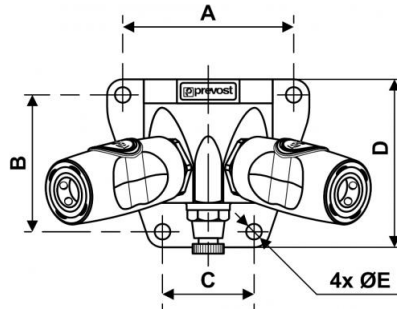


# Female thread double wall manifold - 2 couplers and drain - 1/4" Industrial Profile



<p><b><u>Inlet NPT female thread</u></b> 1/2" FNPT</p>	<p><b><u>Outlet 2 couplings</u></b> ISI 06</p>	<p><b><u>Technology</u></b> "One push" safety system (avoids hose whip)</p>	<p><b><u>Operating pressure</u></b> 29 to 174 psi</p>
<p><b><u>Flow rate at 100 psi</u></b> 34 cfm (<math>\Delta P = 10</math> psi)</p>	<p><b><u>ID Passage</u></b> 1/4" body size</p>	<p><b><u>Temperature</u></b> +5°F to +158°F</p>	<p><b><u>Construction</u></b> Composite body</p>
<p><b><u>Highlight</u></b> Anti-static Non scratch</p>			

Description		
Reference	Inlet NPT female thread	Outlet 2 couplings
ISI 068203WK	1/2" FNPT	ISI 06
ISI 068204WK	3/4" FNPT	ISI 06



### Dimensions

Reference	A inch	B inch	C inch	D inch	E inch
<b>ISI 068203WK</b>	2.795	2.244	1.496	2.756	0.256
<b>ISI 068204WK</b>	2.795	2.244	1.496	2.756	0.256