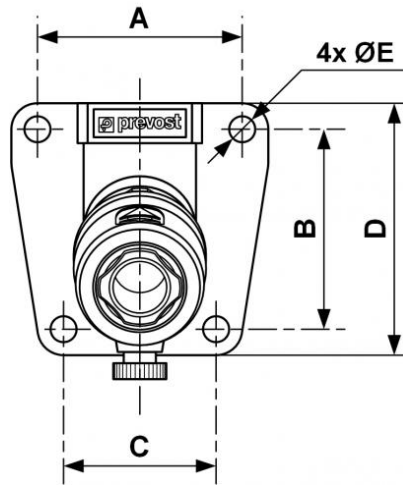


Female thread single wall manifold - 1 coupler and drain - 3/8" Asian Profile



<p><u>BSPP female thread</u> 1/2" FBSP</p>	<p><u>Outlet 1 coupling</u> OSG 08</p>	<p><u>Profile</u> Asian</p>	<p><u>Technology</u> Safety (avoid hose whip)</p>
<p><u>Operating pressure</u> 29 to 174 psi</p>	<p><u>ID Passage</u> 3/8" body size</p>	<p><u>Temperature</u> +5°F to +158°F</p>	<p><u>Construction</u> Composite body</p>
<p><u>Highlight</u> Non scratch</p>			

Description		
Reference	BSPP female thread	Outlet 1 coupling
OSG 081103WK	1/2" FBSP	OSG 08



Dimensions

Reference	A inch	B inch	C inch	D inch	E inch
OSG 081103WK	0.16732283464567	0.16404199475066	0.1246719160105	0.20669291338583	0.021325459317585