

Female thread double wall manifold - 2 couplers and drain - 3/8"

Asian Profile



BSPF female thread

1/2" FBSP

Outlet 2 couplings

OSG 08

Profile

Asian

Technology

Safety (avoid hose whip)

Operating pressure

29 to 174 psi

ID Passage

3/8" body size

Temperature

+5°F to +158°F

Construction

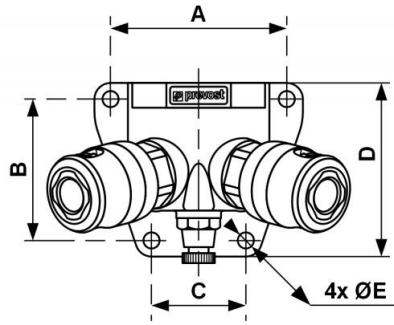
Composite body

Highlight

Non scratch

Description

Reference	BSPF female thread	Outlet 2 couplings
OSG 088103WK	1/2" FBSP	OSG 08
OSG 088104WK	3/4" FBSP	OSG 08



Dimensions

Reference	A inch	B inch	C inch	D inch	E inch
OSG 088103WK	0.23293963254593	0.18700787401575	0.1246719160105	0.22965879265092	0.021325459317585
OSG 088104WK	0.23293963254593	0.18700787401575	0.1246719160105	0.22965879265092	0.021325459317585