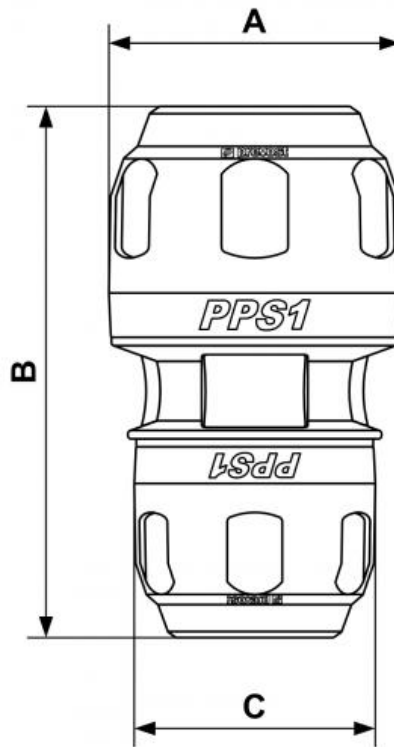


PPS1 MR - Aluminum pipe reducing fitting



<p><u>For pipe OD (in)</u> (1) 3/4"</p>	<p><u>Technology</u> PPS Grip Concept</p>	<p><u>Operating pressure</u> 0 to 232 psi</p>	<p><u>Vacuum capability</u> -29 inHg (vacuum 98%)</p>
<p><u>Temperature</u> -4°F to +176°F</p>	<p><u>Construction</u> Pipe and fittings: aluminum</p>	<p><u>Highlight</u> Scalable system</p>	<p><u>Meets standards</u> ASME B31.3 REACH</p>

Description	
Reference	For pipe OD (in)
PPS1 MR2520	(1) 3/4"
PPS1 MR3225	(1) 1"
PPS1 MR4032	(1) 1 1/4"
PPS1 MR5040	(1) 1 1/2"
PPS1 MR6350	(1) 2"
PPS1 MR8063	(1) 2 1/2"
PPS1 MR10080	(2) 3"



Dimensions

Reference	A inch	B inch	C inch
PPS1 MR2520	1.811	3.346	1.496
PPS1 MR3225	2.244	4.016	1.811
PPS1 MR4032	2.677	4.803	2.244
PPS1 MR5040	3.307	5.591	2.677
PPS1 MR6350	3.937	6.693	3.307
PPS1 MR8063	4.764	7.638	3.937
PPS1 MR10080	8.307	11.457	