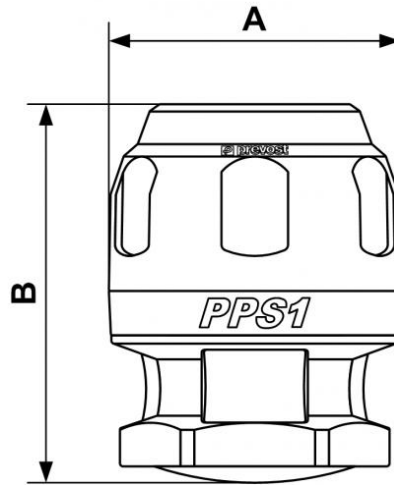


PPS1 BO - Aluminum Pipe Cap



<p><u>For pipe OD (in)</u> (1) 1/2"</p>	<p><u>Technology</u> PPS Grip Concept</p>	<p><u>Operating pressure</u> 0 to 232 psi</p>	<p><u>Vacuum capability</u> -29 inHg (vacuum 98%)</p>
<p><u>Temperature</u> -4°F to +176°F</p>	<p><u>Construction</u> Pipe and fittings: aluminum</p>	<p><u>Highlight</u> Scalable system</p>	<p><u>Meets standards</u> ASME B31.3 REACH</p>

Description	
Reference	For pipe OD (in)
PPS1 BO16	(1) 1/2"
PPS1 BO20	(1) 3/4"
PPS1 BO25	(1) 1"
PPS1 BO32	(1) 1 1/4"
PPS1 BO40	(1) 1 1/2"
PPS1 BO50	(1) 2"
PPS1 BO63	(1) 2 1/2"
PPS1 BO80	(1) 3"
PPS1 BO100	(2) 4"



Dimensions

Reference	A inch	B inch
PPS1 BO16	1.26	1.772
PPS1 BO20	1.496	2.087
PPS1 BO25	1.811	2.402
PPS1 BO32	2.244	2.756
PPS1 BO40	2.677	3.346
PPS1 BO50	3.307	3.976
PPS1 BO63	3.937	4.882
PPS1 BO80	4.764	5.748
PPS1 BO100	8.307	7.008