

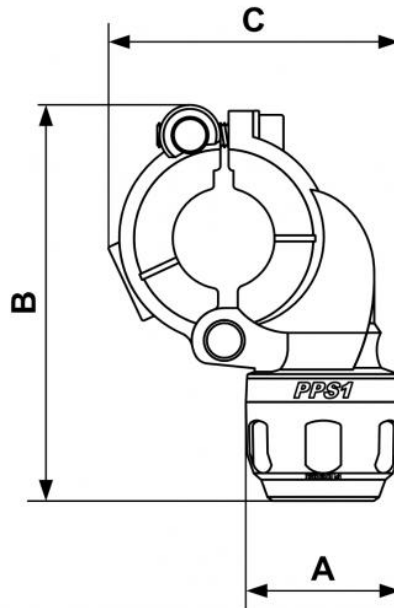
## PPS1 BP - Aluminum tapping flange for pipe



<p><b><u>For pipe OD (in)</u></b> (1) 1/2"</p>	<p><b><u>Technology</u></b> PPS Grip Concept</p>	<p><b><u>Operating pressure</u></b> 0 to 232 psi</p>	<p><b><u>Vacuum capability</u></b> -29 inHg (vacuum 98%)</p>
<p><b><u>Temperature</u></b> -4°F to +176°F</p>	<p><b><u>Construction</u></b> Pipe and fittings: aluminum</p>	<p><b><u>Highlight</u></b> Scalable system</p>	<p><b><u>Meets standards</u></b> ASME B31.3 REACH</p>

Description	
Reference	For pipe OD (in)
PPS1 BP2516	(1) 1/2"
PPS1 BP2520	(1) 3/4"
PPS1 BP3216	(1) 1/2"
PPS1 BP3220	(1) 3/4"
PPS1 BP4016	(1) 1/2"
PPS1 BP4020	(1) 3/4"
PPS1 BP4025	(1) 1/2"
PPS1 BP5016	(1) 1/2"
PPS1 BP5020	(1) 3/4"
PPS1 BP5025	(1) 1"

Reference	For pipe OD (in)
PPS1 BP6320	(1) 3/4"
PPS1 BP6325	(1) 1"
PPS1 BP6332	(1) 1 1/4"
PPS1 BP8020	(1) 3/4"
PPS1 BP8025	(1) 1"
PPS1 BP8032	(1) 1 1/4"
PPS1 BP10025	(2) 1"
PPS1 BP10032	(2) 1 1/4"



### Dimensions

Reference	A inch	B inch	C inch
<b>PPS1 BP2516</b>	1.26	3.701	2.756
<b>PPS1 BP2520</b>	1.496	3.858	2.835
<b>PPS1 BP3216</b>	1.26	3.701	2.756
<b>PPS1 BP3220</b>	1.496	3.858	2.835
<b>PPS1 BP4016</b>	1.26	4.803	4.016
<b>PPS1 BP4020</b>	1.496	5	4.016
<b>PPS1 BP4025</b>	1.811	5.118	4.055
<b>PPS1 BP5016</b>	1.26	4.803	4.016
<b>PPS1 BP5020</b>	1.496	5	4.016
<b>PPS1 BP5025</b>	1.811	5.118	4.055
<b>PPS1 BP6320</b>	1.496	6.417	5.787
<b>PPS1 BP6325</b>	1.811	6.575	5.787

Reference	A inch	B inch	C inch
<b>PPS1 BP6332</b>	2.244	6.496	5.787
<b>PPS1 BP8020</b>	1.496	6.417	5.787
<b>PPS1 BP8025</b>	1.811	6.575	5.787
<b>PPS1 BP8032</b>	2.244	6.496	5.787
<b>PPS1 BP10025</b>	7.874	6.26	
<b>PPS1 BP10032</b>	8.465	6.26	