

Mounted hose hanger



Includes

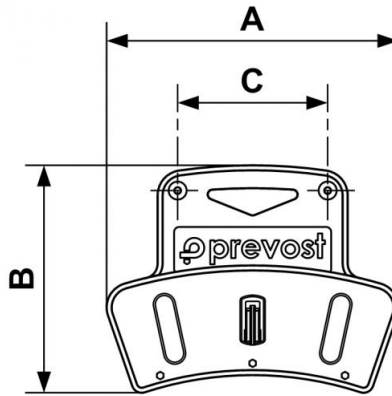
Hose holder supplied with: -
1 magnet kit

Highlight

Workstation ergonomics

Description

Reference	Includes
PLA HR	Hose hanger supplied with: - 1 hook for spray gun - 1 kit of screws and nuts - 2 rubber wedges
PLA HRM	Hose holder supplied with: - 1 magnet kit



Dimensions

Reference	A inch	B inch	C inch
PLA HR	11.496	8.976	5.906
PLA HRM	11.496	8.976	5.905