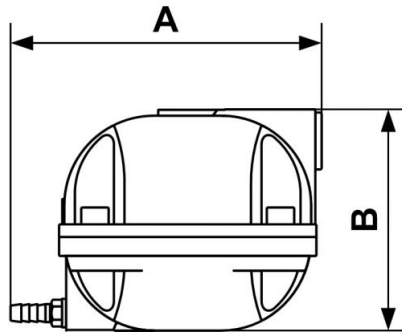


Magnetic condensate drain



<p><u>Inlet NPT female thread</u></p> <p>2 connections 1/2" FNPT</p>	<p><u>Drain outlet (in)</u></p> <p>1/16"</p>	<p><u>Condensates draining</u></p> <p>52.8 gal/hour</p>	<p><u>Max operating pressure</u></p> <p>232 psi</p>
<p><u>Temperature</u></p> <p>+35°F to +122°F</p>	<p><u>Construction</u></p> <p>Body: aluminium</p>		

Description			
Reference	Inlet NPT female thread	Drain outlet (in)	Condensates draining
PMA 201T	2 connections 1/2" FNPT	1/16"	52.8 gal/hour



Dimensions

Reference	A inch	B inch
PMA 201T	0.4757217847769	0.34448818897638