

Female thread wall manifold - couplers and drain - 1/4" Automotive Profile



Inlet NPT female thread

3/4" FNPT

Construction

Aluminium

Outlet

4 x USI 06

Operating pressure

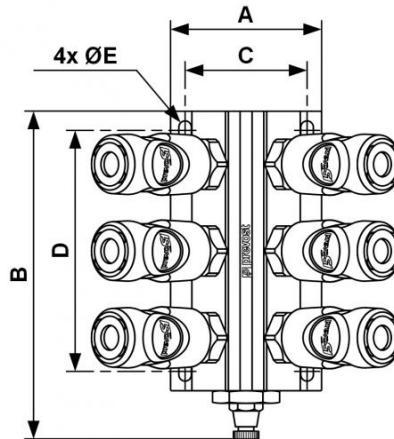
0 to 232 psi

Temperature

- 60°F to +200°F

Description

Reference	Inlet NPT female thread	Outlet
MF 204S4US	3/4" FNPT	4 x USI 06
MF 204S6US	3/4" FNPT	6 x USI 06
MF 204S8US	3/4" FNPT	8 x USI 06
MF 204S10US	3/4" FNPT	10 x USI 06



Dimensions

Reference	A inch	B inch	C inch	D inch	E inch
MF 204S4US	3.071	5.315	2.48	3.15	0.256
MF 204S6US	3.071	7.087	2.48	4.921	0.256
MF 204S8US	3.071	8.858	2.48	6.693	0.256
MF 204S10US	3.071	8.465	2.48	8.465	0.256