

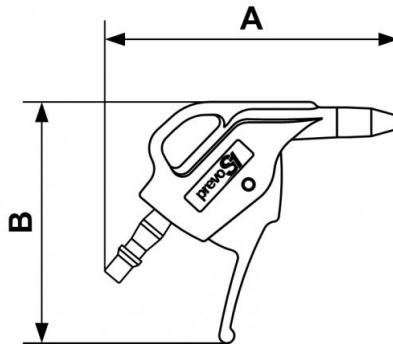
prevoS1 blow gun with composite nozzle



<p>Blowing force (at 6 bar (g))</p> <hr/> <p>10</p>	<p>Dynamic pressure ((psi) at 0.39 inches, at 87 psi)</p> <hr/> <p>36</p>	<p>Air consumption (at 6 bar (Nm3/h))</p> <hr/> <p>8.2</p>	<p>Noise level (at 6 bar (dBA))</p> <hr/> <p>85</p>
<p>Profile</p> <p>British profile</p>	<p>Max operating pressure</p> <hr/> <p>174 psi</p>	<p>Temperature</p> <hr/> <p>+5°F to +158°F</p>	<p>Construction</p> <p>Polyamide composite body</p>
<p>Highlight</p> <p>Compact</p>	<p>Connection</p> <p>Built-in plug</p>		

Description

Reference	Blowing force (at 6 bar (g))	Dynamic pressure ((psi) at 0.39 inches, at 87 psi)	Air consumption (at 6 bar (Nm ³ /h))	Noise level (at 6 bar (dBA))
BBG 06PRE	10	36	8.2	85



Dimensions		
Reference	A inch	B inch
BBG 06PRE	0.38713910761155	0.31824146981627