

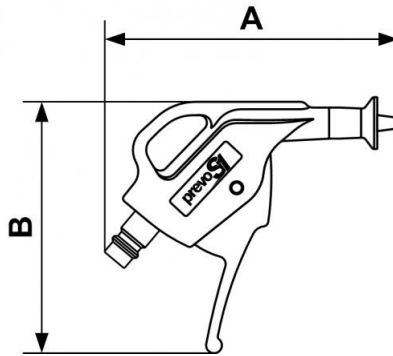
prevoS1 blow gun with protective air curtain



<p>Blowing force (at 87 psi (Ozf))</p> <hr/> <p>5</p>	<p>Dynamic pressure ((psi) at 0.39 inches, at 87 psi)</p> <hr/> <p>30</p>	<p>Air consumption (at 87 psi (cfm))</p> <hr/> <p>14.6</p>	<p>Noise level (at 87 psi (dBA))</p> <hr/> <p>87</p>
<p>Max operating pressure</p> <hr/> <p>174 psi</p>	<p>Temperature</p> <hr/> <p>+5°F to +158°F</p>	<p>Construction</p> <hr/> <p>Polyamide composite body</p>	<p>Highlight</p> <hr/> <p>Compact</p>
<p>Connection</p> <hr/> <p>Built-in plug</p>			

Description

Reference	Blowing force (at 87 psi (Ozf))	Dynamic pressure ((psi) at 0.39 inches, at 87 psi)	Air consumption (at 87 psi (cfm))	Noise level (at 87 psi (dBA))
EBG 07ECR	5	30	14.6	87



Dimensions

Reference	A inch	B inch
EBG 07ECR	0.37073490813648	0.31824146981627