

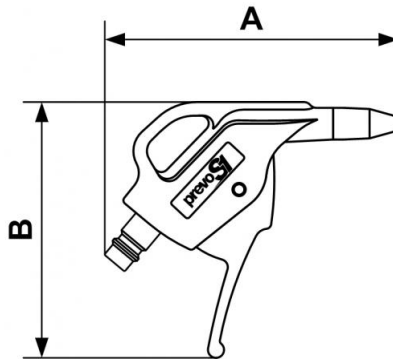
prevoS1 blow gun with composite nozzle



<p>Blowing force (at 87 psi (Ozf))</p> <hr/> <p>10</p>	<p>Dynamic pressure ((psi) at 0.39 inches, at 87 psi)</p> <hr/> <p>36</p>	<p>Air consumption (at 87 psi (cfm))</p> <hr/> <p>8.2</p>	<p>Noise level (at 87 psi (dBA))</p> <hr/> <p>85</p>
<p>Max operating pressure</p> <hr/> <p>174 psi</p>	<p>Temperature</p> <hr/> <p>+5°F to +158°F</p>	<p>Construction</p> <hr/> <p>Polyamide composite body</p>	<p>Highlight</p> <hr/> <p>Compact</p>
<p>Connection</p> <hr/> <p>Built-in plug</p>			

Description

Reference	Blowing force (at 87 psi (Ozf))	Dynamic pressure ((psi) at 0.39 inches, at 87 psi)	Air consumption (at 87 psi (cfm))	Noise level (at 87 psi (dBA))
EBG 07PRE	10	36	8.2	85



Dimensions

Reference	A inch	B inch
EBG 07PRE	0.36417322834646	0.31824146981627