

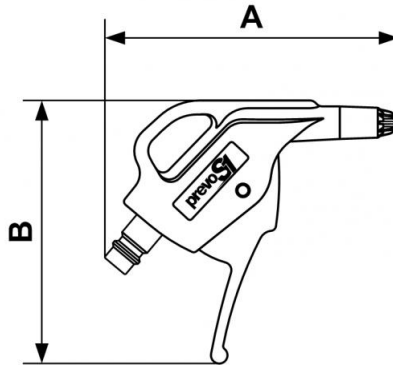
prevoS1 blow gun with silent nozzle



| | | | |
|--|---|--|---|
| <p>Blowing force (at 87 psi (Ozf))</p> <hr/> <p>6</p> | <p>Dynamic pressure ((psi) at 0.39 inches, at 87 psi)</p> <hr/> <p>3</p> | <p>Air consumption (at 87 psi (cfm))</p> <hr/> <p>5.5</p> | <p>Noise level (at 87 psi (dBA))</p> <hr/> <p>74</p> |
| <p>Max operating pressure</p> <hr/> <p>174 psi</p> | <p>Temperature</p> <hr/> <p>+5°F to +158°F</p> | <p>Construction</p> <hr/> <p>Polyamide composite body</p> | <p>Highlight</p> <hr/> <p>Compact</p> |
| <p>Connection</p> <hr/> <p>Built-in plug</p> | | | |

Description

| Reference | Blowing force (at 87 psi (Ozf)) | Dynamic pressure ((psi) at 0.39 inches, at 87 psi) | Air consumption (at 87 psi (cfm)) | Noise level (at 87 psi (dBA)) |
|------------------|---------------------------------|--|-----------------------------------|-------------------------------|
| EBG 07SIL | 6 | 3 | 5.5 | 74 |



Dimensions

| Reference | A inch | B inch |
|------------------|------------------|------------------|
| EBG 07SIL | 0.35433070866142 | 0.31824146981627 |