

prevoS1 blow gun with silent nozzle



Blowing force (at 87 psi (Ozf))

6

Dynamic pressure ((psi) at 0.39 inches, at 87 psi)

3

Air consumption (at 87 psi (cfm))

5.5

Noise level (at 87 psi (dBA))

74

Max operating pressure

174 psi

Temperature

+5°F to +158°F

Construction

Polyamide composite body

Highlight

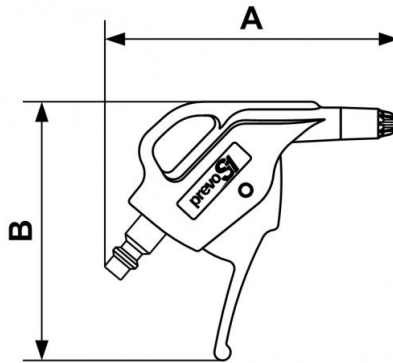
Compact

Connection

Built-in plug

Description

Reference	Blowing force (at 87 psi (Ozf))	Dynamic pressure ((psi) at 0.39 inches, at 87 psi)	Air consumption (at 87 psi (cfm))	Noise level (at 87 psi (dBA))
IBG 06SIL	6	3	5.5	74



Dimensions

Reference	A inch	B inch
IBG 06SIL	0.36089238845144	0.31824146981627