

## prevoS1 blow gun with protective air curtain



**Blowing force (at 6 bar (g))**

5

**Dynamic pressure ((psi) at 0.39 inches, at 87 psi)**

30

**Air consumption (at 6 bar (Nm3/h))**

14.6

**Noise level (at 6 bar (dBA))**

87

**Profile**

British profile

**Max operating pressure**

174 psi

**Temperature**

+5°F to +158°F

**Construction**

Polyamide composite body

**Highlight**

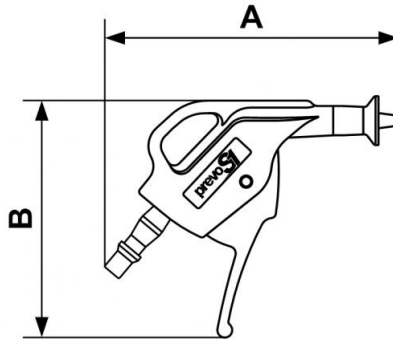
Compact

**Connection**

Built-in plug

### Description

Reference	Blowing force (at 6 bar (g))	Dynamic pressure ((psi) at 0.39 inches, at 87 psi)	Air consumption (at 6 bar (Nm <sup>3</sup> /h))	Noise level (at 6 bar (dBA))
<b>BBG 06ECR</b>	5	30	14.6	87



### Dimensions

Reference	A inch	B inch
<b>BBG 06ECR</b>	0.39370078740157	0.31824146981627