

prevoS1 blow gun with silent nozzle



Blowing force (at 6 bar (g))

6

Dynamic pressure ((psi) at 0.39 inches, at 87 psi)

3

Air consumption (at 6 bar (Nm3/h))

5.5

Noise level (at 6 bar (dBA))

74

Profile

British profile

Max operating pressure

174 psi

Temperature

+5°F to +158°F

Construction

Polyamide composite body

Highlight

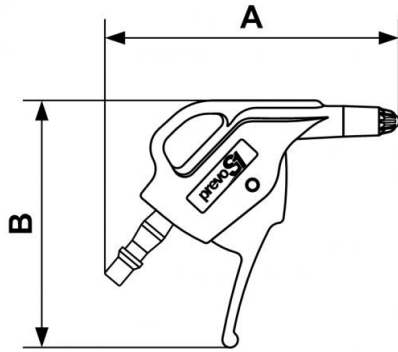
Compact

Connection

Built-in plug

Description

Reference	Blowing force (at 6 bar (g))	Dynamic pressure ((psi) at 0.39 inches, at 87 psi)	Air consumption (at 6 bar (Nm ³ /h))	Noise level (at 6 bar (dBA))
BBG 06SIL	6	3	5.5	74



Dimensions

Reference	A inch	B inch
BBG 06SIL	0.38713910761155	0.31824146981627