

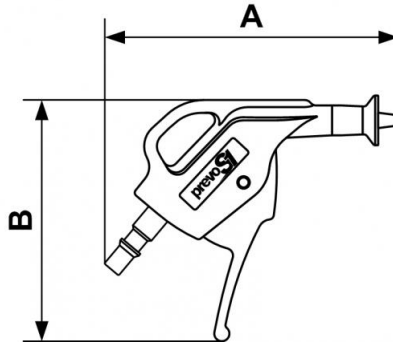
## prevoS1 blow gun with protective air curtain



<p><b><u>Blowing force (at 87 psi (Ozf))</u></b></p> <p>5</p>	<p><b><u>Dynamic pressure ((psi) at 0.39 inches, at 87 psi)</u></b></p> <p>30</p>	<p><b><u>Air consumption (at 87 psi)</u></b></p> <p>14.6</p>	<p><b><u>Noise level (at 87 psi (dBA))</u></b></p> <p>87</p>
<p><b><u>Max operating pressure</u></b></p> <p>174 psi</p>	<p><b><u>Temperature</u></b></p> <p>+5°F to +158°F</p>	<p><b><u>Construction</u></b></p> <p>Polyamide composite body</p>	<p><b><u>Highlight</u></b></p> <p>Compact</p>
<p><b><u>Connection</u></b></p> <p>Built-in plug</p>			

## Description

Reference	Blowing force (at 87 psi (Ozf))	Dynamic pressure ((psi) at 0.39 inches, at 87 psi)	Air consumption (at 87 psi)	Noise level (at 87 psi (dBA))
<b>CBG 06ECR</b>	5	30	14.6	87



### Dimensions

Reference	A inch	B inch
<b>CBG 06ECR</b>	0.38713910761155	0.31824146981627