

prevoS1 blow gun with composite nozzle



Blowing force (at 87 psi (Ozf))

10

Dynamic pressure ((psi) at 0.39 inches, at 87 psi)

36

Air consumption (at 87 psi (cfm))

8.2

Noise level (at 87 psi (dBA))

85

Max operating pressure

174 psi

Temperature
+5°F to +158°F

Construction

Polyamide composite body

Highlight

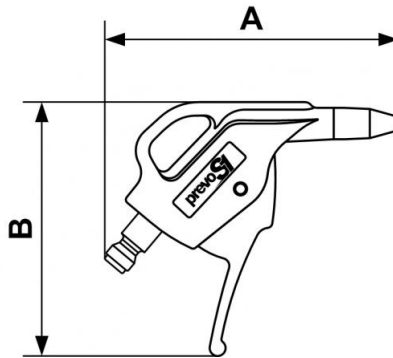
Compact

Connection

Built-in plug

Description

Reference	Blowing force (at 87 psi (Ozf))	Dynamic pressure ((psi) at 0.39 inches, at 87 psi)	Air consumption (at 87 psi (cfm))	Noise level (at 87 psi (dBA))
UBG 06PRE	10	36	8.2	85



Dimensions

Reference	A inch	B inch
UBG 06PRE	0.36745406824147	0.31824146981627