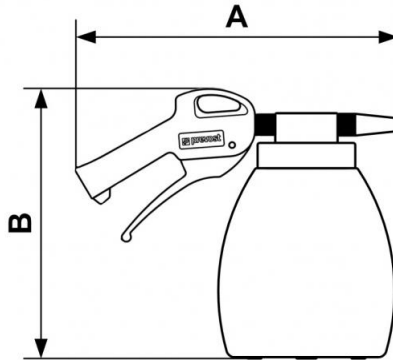


Sodablaster



<p><u>Inlet NPT female thread</u> 1/4" FNPT</p>	<p><u>Capacity (oz)</u> 40</p>	<p><u>Flow rate (at 87 psi (cfm))</u> 6.4</p>	<p><u>Construction</u> High density polyethylene</p>
<p><u>Operating pressure</u> 87 to 174 psi</p>	<p><u>Temperature</u> +14°F to +176°F</p>	<p><u>Construction</u> Acetal plastic body</p>	<p><u>Applications</u> Stripping - cleaning Automotive sector, industry</p>

Description				
Reference	Inlet NPT female thread	Capacity (oz)	Flow rate (at 87 psi (cfm))	Construction
BG SODA1T	1/4" FNPT	40	6.4	High density polyethylene



Dimensions

Reference	A inch	B inch
BG SODA1T	0.78740157480315	0.65616797900263