

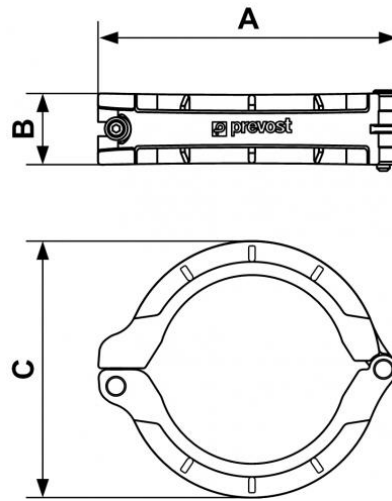
PPS1 CC CONCEPT - Connecting parts



| | | | |
|---|---|---|---|
| <p><u>For tube OD (in)</u> (1) 2"</p> | <p><u>Technology</u> PPS Grip Concept</p> | <p><u>Operating pressure</u> 0 to 16 bar</p> | <p><u>Vacuum capability</u> -0.98 bar (vacuum 98%)</p> |
| <p><u>Temperature</u> -20°C to +80°C</p> | <p><u>Construction</u> Pipe and fittings: alu.</p> | <p><u>Highlight</u> Scalable system</p> | <p><u>Meets standards</u> PED REACH</p> |

| Description | |
|-------------|------------------|
| Reference | For tube OD (in) |
| PPS1 CC50 | (1) 2" |
| PPS1 CC63 | (1) 2 1/2" |
| PPS1 CC80 | (1) 3" |
| PPS1 CC100 | (1) 4" |
| PPS1 CC160 | (1) 6" |
| PPS1 FL50 | (2) 2" |
| PPS1 FL63 | (2) 2 1/2" |
| PPS1 FL80 | (2) 3" |
| PPS1 FL100 | (2) 4" |

| Reference | For tube OD (in) |
|------------|------------------|
| PPS1 FL160 | (2) 6" |



| Dimensions | | | |
|-------------------|--------|--------|--------|
| Reference | A inch | B inch | C inch |
| PPS1 CC50 | 5.276 | 1.378 | 4.291 |
| PPS1 CC63 | 6.024 | 1.496 | 5.079 |
| PPS1 CC80 | 7.126 | 1.89 | 5.945 |
| PPS1 CC100 | 8.307 | 1.968 | 7.087 |
| PPS1 CC160 | | | |
| PPS1 FL50 | 6.496 | 0.63 | |
| PPS1 FL63 | 7.283 | 0.63 | |
| PPS1 FL80 | 7.874 | 0.709 | |
| PPS1 FL100 | 9.016 | 0.709 | |
| PPS1 FL160 | | | |