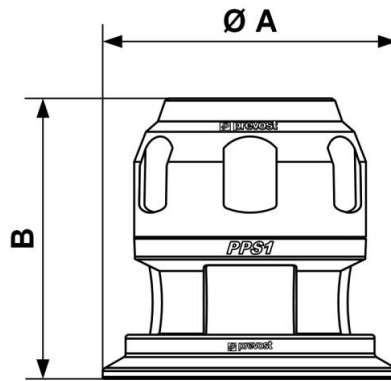


PPS1 UC - MRC - CC Reductions



<p><u>For pipe OD</u> (1) 2"</p>	<p><u>Technology</u> PPS Grip Concept</p>	<p><u>Operating pressure</u> 0 to 16 bar</p>	<p><u>Vacuum capability</u> -0.98 bar (vacuum 98%)</p>
<p><u>Temperature</u> -20°C to +80°C</p>	<p><u>Construction</u> Pipe and fittings: alu.</p>	<p><u>Highlight</u> Scalable system</p>	<p><u>Meets standards</u> PED REACH</p>

Description	
Reference	For pipe OD
PPS1 UC6350	(1) 2"
PPS1 UC8063	(1) 2 1/2"
PPS1 UC10080	(1) 3"
PPS1 MRCC160100	(2) 4"



Dimensions

Reference	A inch	B inch
PPS1 UC6350	4.331	4.252
PPS1 UC8063	4.921	5.197
PPS1 UC10080	6.063	5.63
PPS1 MRCC160100		