

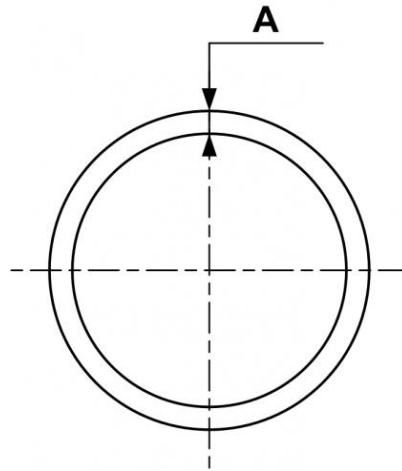
PPS - Aluminum blue pipe for compressed air



<p><u>Pipe OD (in)</u> 1/2"</p>	<p><u>Length (ft)</u> 13'</p>	<p><u>Technology</u> PPS Grip Concept</p>	<p><u>Operating pressure</u> 0 to 232 psi</p>
<p><u>Vacuum capability</u> -29 inHg (vacuum 98%)</p>	<p><u>Temperature</u> -4°F to +176°F</p>	<p><u>Construction</u> Pipe and fittings: aluminum</p>	<p><u>Highlight</u> Scalable system</p>
<p><u>Meets standards</u> ASME B31.3 REACH</p>			

Description		
Reference	Pipe OD (in)	Length (ft)
PPS BTU1613	1/2"	13'
PPS BTU2018	3/4"	18'
PPS BTU2518	1"	18'
PPS BTU3218	1 1/4"	18'
PPS BTU4018	1 1/2"	18'
PPS BTU5018	2"	18'
PPS BTU6318	2 1/2"	18'
PPS BTU8018	3"	18'

Reference	Pipe OD (in)	Length (ft)
PPS BTU10018	4"	18'
PPS BTU16018	6"	18'



Dimensions	
Reference	A inch
PPS BTU1613	0.0042650918635171
PPS BTU2018	0.051
PPS BTU2518	0.055
PPS BTU3218	0.059
PPS BTU4018	0.071
PPS BTU5018	0.079
PPS BTU6318	0.079
PPS BTU8018	0.094
PPS BTU10018	0.11
PPS BTU16018	0.157