

## Parallel male thread exhaust silencer - PPS



### Male thread

M5 x 0.8

### Max operating pressure

174 psi

### Construction

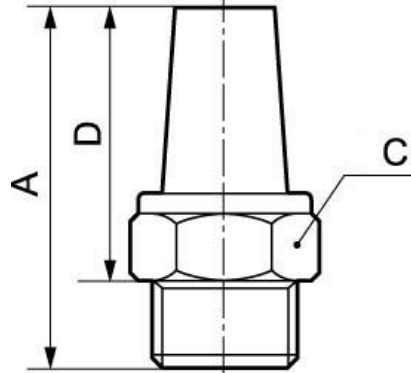
Sintered bronze filter element excepted partnr.PPP

### Highlight

Lowering of sound level

## Description

Reference	Male thread
<b>PPS M5</b>	M5 x 0.8
<b>PPS 38</b>	G 3/8
<b>PPS 34</b>	G 3/4
<b>PPS 18</b>	G 1/8
<b>PPS 14</b>	G 1/4
<b>PPS 12</b>	G 1/2



### Dimensions

Reference	A inch	C inch	D inch
<b>PPS M5</b>	21	8	16.5
<b>PPS 38</b>	42	19	34
<b>PPS 34</b>	50	30	40
<b>PPS 18</b>	28	13	22
<b>PPS 14</b>	33.5	16	26
<b>PPS 12</b>	53	24	43