

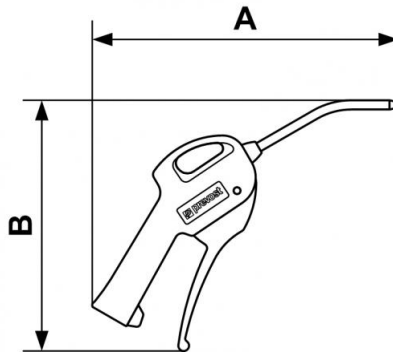
## Blow gun with metal nozzle



<p><b><u>BSPP female thread</u></b></p> <p>G 1/4</p>	<p><b><u>Air consumption (at 6 bar (Nm3/h))</u></b></p> <p>23</p>	<p><b><u>Sound level (a 6 bar(dBA))</u></b></p> <p>83</p>	<p><b><u>Nozzle length (mm)</u></b></p> <p>110</p>
<p><b><u>Max operating pressure</u></b></p> <p>10 bar</p>	<p><b><u>Construction</u></b></p> <p>Polyamide composite body</p>	<p><b><u>Highlight</u></b></p> <p>Adjust gradually blowing</p>	

Description									
Reference	BSPP female thread	Air consumption (at 6 bar (Nm3/h))	Sound level (a 6 bar(dBA))	Nozzle length (mm)	NPT female thread	Air consumption (at 87 psi)	Noise level (at 87 psi(dBA))	Blowing force (at 87 psi (Ozf))	Dynamic pressure (at 87 psi at 4")(psi)
<b>27102 MTL</b>	G 1/4	23	83	110	1/4" FNPT	13.5 cfm	83	13	18

Reference	BSPP female thread	Air consumption (at 6bar (Nm3/h))	Sound level (at 6 bar(dBA))	Nozzle length (mm)	NPT female thread	Air consumption (at 87 psi)	Noise level (at 87 psi(dBA))	Blowing force(at 87psi (Ozf))	Dynamic pressure (at 87 psi at 4")(psi)
<b>27202 MTL</b>					1/4" FNPT	5.3 cfm	73	4.4	11
<b>27202 MTLBP3</b>									



### Dimensions

Reference	A inch	B inch
<b>27102 MTL</b>	200	164
<b>27202 MTL</b>	0.65616797900263	0.53805774278215
<b>27202 MTLBP3</b>	0.65616797900263	0.53805774278215