

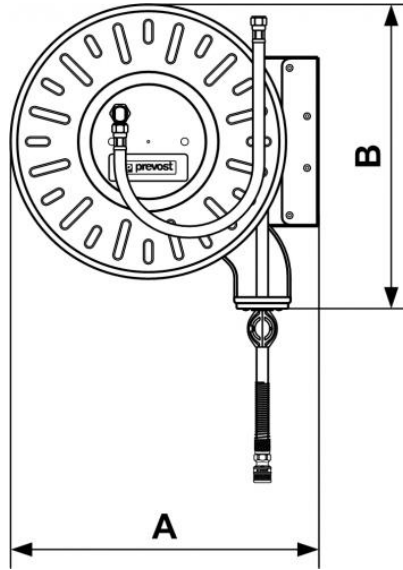
Open Hose Reel - Low Pressure Water



ID (in) 5/8"	Length (ft) 82'	Coupler ELS 09	Swivel inlet BSPP male thread 1/2" MBSP
Weight (lb) 97	Technology Pipe locked with ratchet stop	Max operating pressure 145 psi	Temperature +5°F to +140°F
Construction Epoxy-coated steel case	Connection 3.3 ft of inlet supply hose	Equipped with Fixed bracket	

Description								
Reference	ID (in)	Length (ft)	Coupler	Swivel inlet BSPP male thread	Weight (lb)	ID/OD (mm)	Length (m)	Weight (kg)

DLO 1625LS	5/8"	82'	ELS 09	1/2" MBSP	97	19 x 28	20	42
DLO 1920LS			ELS 09	G 1				



Dimensions

Reference	A inch	B inch
DLO 1625LS	2.0177165354331	2.001312335958
DLO 1920LS	615	610