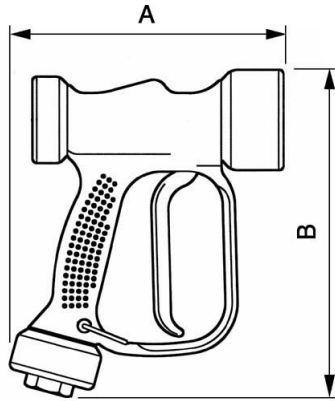


## Brass Heavy Duty Industrial wash gun



Description						
Reference	BSPP female thread	Flow rate	Max operating pressure (psi)	Temperature (max (°F))	Construction	Weight (lb)
<b>PL JET</b>	1/2" FBSP	16 GPM at 350 psi 11 GPM at 145 psi	350	140 (continued use) 195 (occasional use)	Brass wash gun with polyamide coating. Use with adaptor ELP 096153	2.09



**Dimensions**

Reference	A inch	B inch
<b>PL JET</b>	0.53149606299213	0.70866141732284