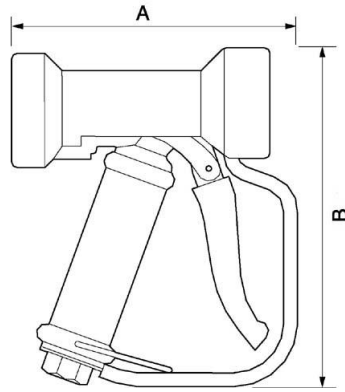


Stainless steel Heavy Duty Industrial wash gun



Description						
Reference	BSPP female thread	Flow rate	Max operating pressure (PSI)	Temperature (max (°F))	Construction	Weight (lb)
PL JETI	1/2" FBSP	16 GPM at 350 psi 11 GPM at 145 psi	350	203	316 stainless steel wash gun with EDPM rubber coating. Use with adaptor ELP 096153	2.03



Dimensions		
Reference	A inch	B inch
PL JETI	0.52165354330709	0.62007874015748