

Female valved coupler



NPT female thread

3/4" FNPT

Operating pressure

0 to 145 psi

Flow rate

6.34 GPM ($\Delta P = 4.35$ psi valved coupling), 8.85 GPM ($\Delta P = 4.35$ psi straight through-coupling)

ID Passage

9 mm

Temperature

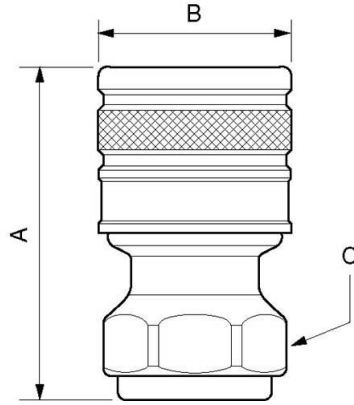
+5°F to +140°F

Construction

Brass body

Description

Reference	NPT female thread	GHT female thread
ELS 091204	3/4" FNPT	3/4" FGHT
ELS 091304		



Dimensions

Reference	A inch	B inch	C inch
ELS 091204	0.2001312335958	0.11482939632546	0.098425196850394
ELS 091304	0.2001312335958	0.11482939632546	0.098425196850394