

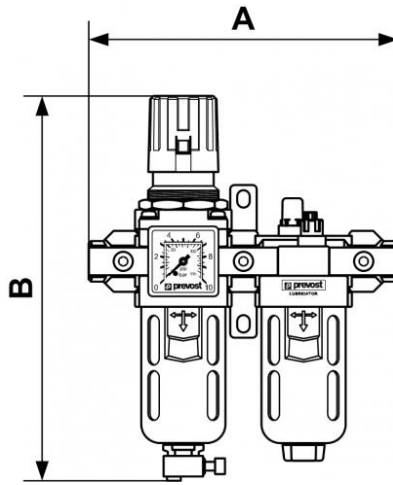
ALTO 2 - 2-piece-set - Filter-Regulator-Lubricator (gauge included) with wall bracket and quick connections



<p><u>BSPF female thread</u> G 3/8</p>	<p><u>Flow rate (l/min at 7 bar ΔP)</u> 1 bar = 1250</p>	<p><u>Max operating pressure (bar)</u> 10</p>	<p><u>Filtration (μm)</u> 25</p>
<p><u>Temperature</u> +5°C to +50 °C</p>	<p><u>Construction</u> Body : Aluminium Polycarbonate bowl with metallic protection</p>	<p><u>Equipped with</u> Manual drain</p>	

Description							
Reference	BSPF female thread	Flow rate (l/min at 7 bar ΔP)	Max operating pressure (bar)	Filtration (μm)	NPT female thread	Flow rate (cfm at 87 psi ΔP)	Max operating pressure (psi)

TB PSM2	G 3/8	1bar) = 1250	10	25	3/8" FNPT	14psi) = 44.15	174
TB PSM202				25			



Dimensions

Reference	A inch	B inch
TB PSM2	182	220
TB PSM202	0.59711286089239	0.72178477690289