

## M8 thread hanger



**For tube OD (in)**

3/4

**Length (m)**

1

**Temperature**

-30°C to +80°C

**Construction**

Aluminium pipe and composite fittings

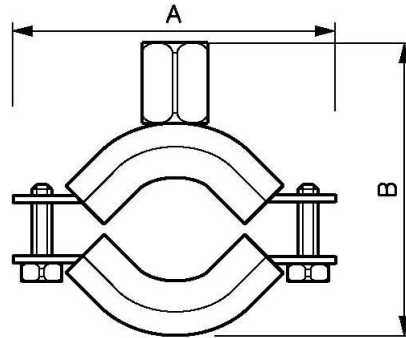
**Highlight**

Scalable system

### Description

Reference	For tube OD (in)	Length (m)
CPF 20	3/4	1
CPF 25	1	2
CPF 32	1 1/4	5,5
CPF 40	1 1/2	5,5
CPF 50	2	2
CPF 63	2 1/2	2
CPF 80	3	2

Reference	For tube OD (in)	Length (m)
<b>CPF 100</b>	4	-
<b>CPF 160</b>	160	-



### Dimensions

Reference	A inch	B inch
<b>CPF 20</b>	2.52	2.008
<b>CPF 25</b>	2.756	2.047
<b>CPF 32</b>	3.071	2.362
<b>CPF 40</b>	3.583	2.638
<b>CPF 50</b>	3.937	2.874
<b>CPF 63</b>	4.016	3.268
<b>CPF 80</b>	4.882	4.567
<b>CPF 100</b>		
<b>CPF 160</b>		