

Steel - swivel bracket for DGF hose reels



For hose reels

DGF

Construction

Treated steel

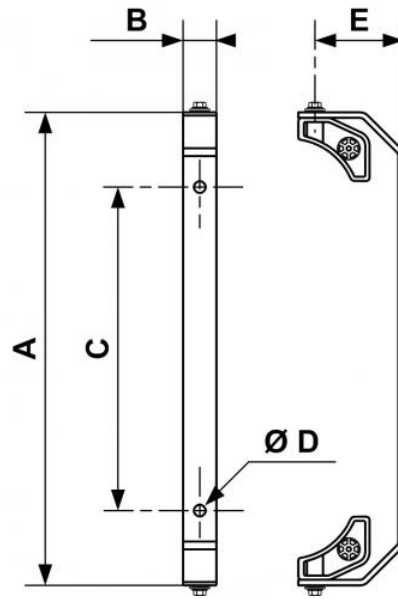
Description

Reference

DGF PIV

For hose reels

DGF



Dimensions

Reference	A inch	B inch	C inch	D inch	E inch
DGF PIV	1.4009186351706	0.098425196850394	0.95800524934383	0.034448818897638	0.26246719160105