

Male connector - Metric tube to male BSPT - RPD MR



BSPT male thread

1/8" MBSP

For tube OD (mm)

4

Operating pressure

0 to 145 psi

Temperature

+32°F to +140°F

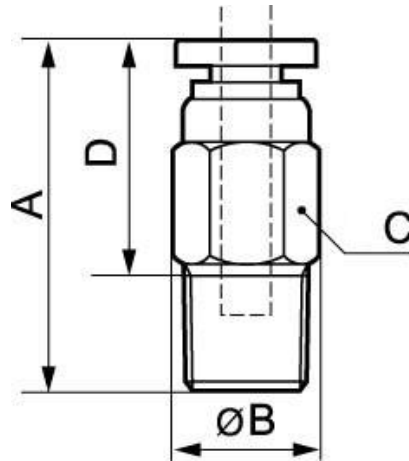
Construction

Polymer and nickel-plated
brass

Description

Reference	BSPT male thread	For tube OD (mm)
RPD MR0400	1/8" MBSP	4
RPD MR0401	1/4" MBSP	4
RPD MR0600	1/8" MBSP	6
RPD MR0601	1/4" MBSP	6
RPD MR0602	1/8" MBSP	6
RPD MR0603	1/2" MBSP	6

Reference	BSPT male thread	For tube OD (mm)
RPD MR0800	1/8" MBSP	8
RPD MR0801	1/4" MBSP	8
RPD MR0802	1/8" MBSP	8
RPD MR0803	1/2" MBSP	8
RPD MR1000	1/8" MBSP	10
RPD MR1001	R 1/4	10
RPD MR1002	R 3/8	10
RPD MR1003	1/2" MBSP	10
RPD MR1201	1/4" MBSP	12
RPD MR1202	1/8" MBSP	12
RPD MR1203	1/2" MBSP	12
RPD MR1402	1/8" MBSP	14
RPD MR1403	1/2" MBSP	14
RPD MR1602	1/8" MBSP	16
RPD MR1603	1/2" MBSP	16



Dimensions

Reference	A inch	B inch	C inch	D inch
RPD MR0400	0.068897637795276	0.037729658792651	0.032808398950131	0.044291338582677
RPD MR0401	0.065616797900262	0.05249343832021	0.045931758530184	0.036089238845144
RPD MR0600	0.072178477690289	0.045931758530184	0.039370078740158	0.04757217847769
RPD MR0601	0.068897637795276	0.05249343832021	0.045931758530184	0.039370078740158
RPD MR0602	0.075459317585302	0.063976377952756	0.055774278215223	0.039370078740158
RPD MR0603	0.083661417322835	0.078740157480315	0.068897637795276	0.041010498687664
RPD MR0800	0.088582677165354	0.05249343832021	0.045931758530184	0.063976377952756
RPD MR0801	0.078740157480315	0.05249343832021	0.045931758530184	0.049212598425197
RPD MR0802	0.080380577427821	0.063976377952756	0.055774278215223	0.044291338582677
RPD MR0803	0.085301837270341	0.078740157480315	0.068897637795276	0.042650918635171
RPD MR1000	0.091863517060367	0.063976377952756	0.055774278215223	0.067257217847769
RPD MR1001	29	19.5	17	20
RPD MR1002	27	19.5	17	16
RPD MR1003	0.085301837270341	0.078740157480315	0.068897637795276	0.042650918635171

Reference	A inch	B inch	C inch	D inch
RPD MR1201	0.10826771653543	0.072178477690289	0.062335958005249	0.078740157480315
RPD MR1202	0.096784776902887	0.072178477690289	0.062335958005249	0.060695538057743
RPD MR1203	0.090223097112861	0.078740157480315	0.068897637795276	0.026246719160105
RPD MR1402	0.10859580052493	0.082020997375328	0.072178477690289	0.07250656167979
RPD MR1403	0.10236220472441	0.082020997375328	0.072178477690289	0.059711286089239
RPD MR1602	0.11482939632546	0.090223097112861	0.078740157480315	0.078740157480315
RPD MR1603	0.10826771653543	0.090223097112861	0.078740157480315	0.065616797900262