

90° equal elbow - Metric tube - RPC ET



For tube OD (mm)

4

Operating pressure

0 to 145 psi

Temperature

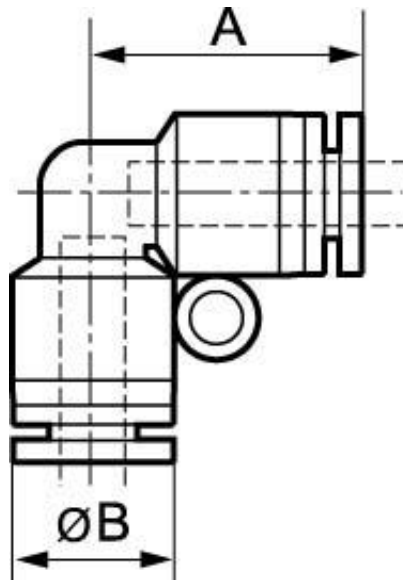
+32°F to +140°F

Construction

Polymer and nickel-plated
brass

Description

Reference	For tube OD (mm)
RPC ET0404	4
RPC ET0606	6
RPC ET0808	8
RPC ET1010	10
RPC ET1212	12
RPC ET1414	14
RPC ET1616	16



Dimensions		
Reference	A inch	B inch
RPC ET0404	0.05741469816273	0.032808398950131
RPC ET0606	0.067257217847769	0.041994750656168
RPC ET0808	0.073818897637795	0.045275590551181
RPC ET1010	0.074803149606299	0.045275590551181
RPC ET1212	0.088582677165354	0.05511811023622
RPC ET1414	0.097769028871391	0.06496062992126
RPC ET1616	0.1010498687664	0.078083989501312