

Tube flow regulator one way - Metric tube - RPL ET



For tube OD (mm)

4

Operating pressure

0 to 145 psi

Temperature

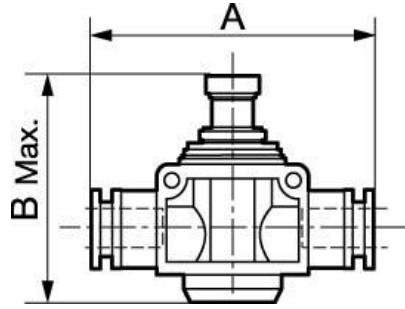
+32°F to +140°F

Construction

Polymer and nickel-plated
brass

Description

Reference	For tube OD (mm)
RPL ET0404	4
RPL ET0606	6
RPL ET0808	8
RPL ET1010	10
RPL ET1212	12



Dimensions

Reference	A inch	B inch
RPL ET0404	0.1246719160105	0.095144356955381
RPL ET0606	0.16076115485564	0.14107611548556
RPL ET0808	0.18077427821522	0.15748031496063
RPL ET1010	0.20669291338583	0.17716535433071
RPL ET1212	0.24606299212598	0.19028871391076